



Installation, Operation, & Safety Handbook



Model 1500



Model 2500

High Valley Stoves by Stoll

153 Hwy. 201

Abbeville, SC 29639

www.highvalleystoves.com

800.421.0771

MODEL 2500 AND 1500

FREESTANDING STOVE OR FIREPLACE INSERT



Safety Notice: *If this wood stove is not properly installed, a house fire may result. For your safety, please follow the installation directions. Contact local building or fire officials about restrictions and installation inspection in your area.*

NOTICE

Gold plated surface must be cleaned with glass cleaner and a soft rag before firing the first time, or fingerprints will remain.

Installation, Operation & Safety Handbook for 2500 and 1500

Table Of Contents

SECTION 1	FIREPLACE INSERT INSTALLATION Preparing Chimney for Insert Installing Top & Side Panels	Pg. 4
SECTION 2	STOVE GLASS Glass Installation Use and Care of Glass	Pg. 5
SECTION 3	FREESTANDING INSTALLATION General Safety Information General Safety Precautions Installation of Legs or Pedestal Installation of First Pipe Segment Stove Pipe Installation	Pg. 6
SECTION 4	BLOWER INSTALLATION	Pg. 8
SECTION 5	ADDITIONAL SAFETY PRECAUTIONS	Pg. 9
SECTION 6	OPERATING & BUILDING AN EFFICIENT FIRE Building a Fire in the 1500 Building a Fire in the 2500 Maintenance	Pg. 10
SECTION 7	TROUBLESHOOTING GUIDE	Pg. 11
SECTION 8	WARRANTY	Pg. 12
SECTION 9	WIRING DIAGRAMS	Pg. 14
SECTION 10	OWNER'S REGISTRATION CARD	Pg. 15

SECTION 1: FIREPLACE INSERT INSTALLATION

Tools Required: Knife

Materials:

- 1 High Valley Surround
- 1 Roll of Surround Gasketing
- 1 Roll Surround Insulation
- 1 Hardware Pack (4 Allen head bolts & an Allen wrench)

PREPARING CHIMNEY FOR INSERT

1. Chimney, flue, hearth, chimney construction, etc. must meet the **NFPA 211 Standard for Chimneys, Fireplaces, Vents, and Solid Fuel-Burning Appliances**.
2. Clean fireplace of all ashes and soot.
3. Remove damper or lock it in the open position.
4. In the event that the fireplace floor is lower than the hearth, install a 3/8" bolt (*not included*) into the back holes on the bottom of the stove to level it.
5. See figure 2 for Mantel Clearance.
6. **Caution:** High Valley inserts are NOT for installation in a prefab/metal fireplace.

INSTALLING SURROUND

1. Position the Stove so that it is centered in the opening horizontally. Set Stove so top front edge is out in front of opening approx. 7" for 1500 and 9" for 2500. If you are using a direct connect with flue pipe, be sure to install/connect now.
2. Remove tape backing from Surround Gasketing then place around the inside edge of the Surround, using the adhesive side to attach to the Surround. This will help seal any gaps between the Surround and the Stove.
3. If you are installing a 2500 Insert, you will need to remove both Bay Windows by reaching inside the stove and loosening both bolts (*top & bottom*).
4. Insert 4 Pressure Screws into the 4 tabs on front edge of Surround, making sure screw points are pointed in to hit the sides of the Stove.
5. Slide Surround over Stove, being careful to not scratch or mar the finish. Push Surround firmly against Fireplace Face and install Surround Insulation between Surround and Fireplace in order to provide a tight seal on rough surfaces.
6. Using supplied wrench, carefully tighten all 4 Pressure Screws from Step 4, being sure to tighten evenly on all sides. (**Fig. 1**)
7. Reinstall Bay Windows on Stove (*2500 only*)



FIGURE 1

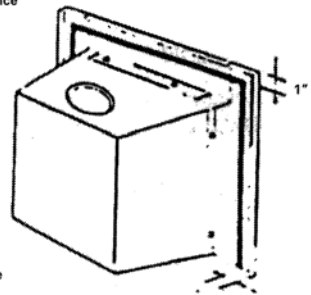
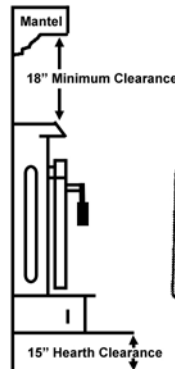


FIGURE 2

SECTION 2: STOVE GLASS

Tools Required: 3/16" Allen Wrench & Knife

Materials: High-Temperature Glass
6 ft. of 1/8" x 1" Gasket with Adhesive

GLASS INSTALLATION

1. Glass can be installed in the door opening with the door on the stove.
2. Remove bracket bolts from the door.
3. Remove backing from the gasket. Center gasket on edge of glass. Firmly press onto glass edge and all sides. Cut excess gasket.
4. Place glass in opening.
5. Position brackets in place, insert bolts and tighten carefully.

Caution: Glass should be snug, but not excessively tight.

USE AND CARE OF GLASS

Although glass has excellent heat resistance and strength characteristics, it can crack through improper use. To achieve maximum utility and safety of glass in a wood burning stove, we advise the following:

1. Inspect the glass regularly. If you detect a crack or break, extinguish the fire immediately and replace glass.
2. Do not slam the door or otherwise impact the glass. When closing the door, logs or other objects should not protrude or impact the glass.
3. Do not clean the glass with materials which may scratch or damage the glass. Scratches on the glass can develop into cracks or breaks. Oven cleaner may be used, but do not get any on the paint as it will remove paint.
4. Never put substances which can ignite explosively in the stove since even small explosions in confined areas can blowout the glass.

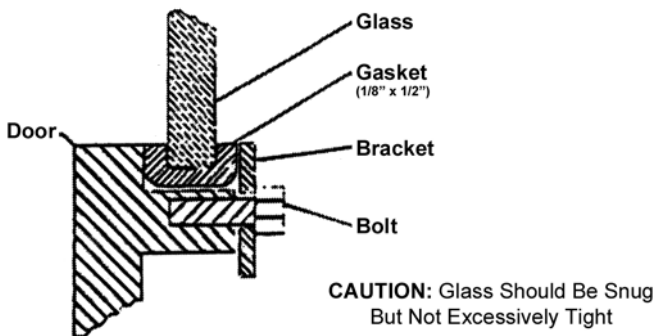


FIGURE 3

SECTION 3: FREE STANDING STOVE INSTALLATION

Tools Required: 9/16" Wrench

Materials: 4 3/8" x 3/4" Bolts

NOTE: Dimensions shown are clearances to a combustible wall.

GENERAL SAFETY INFORMATION

Proper installation of any wood burning stove is necessary for the safety and effectiveness of its operation, Check with your dealer regarding arrangements for installing your free standing model. Installation must meet strict specifications of the National Fire Protection Association and all local fire and building codes. For additional information on using your heater (wood stove) safely, write for Using Coal and Wood Safely, NFPA No. 89174, from the National Protective Association, 470 Atlantic Avenue, Boston, MA 02210. High Valley Stoves are tested by Arnold Green Testing Laboratories, 6 Huren Drive, East Natuck Industrial Park, Natuck, MA 01760.

GENERAL SAFETY PRECAUTIONS

1. Keep stove away from combustibles. Follow suggested distances.
2. Install smoke pipe segments with the crimped end down. This permits the creosote to drip back into the stove and be burned away.
3. The use of aluminum type "B" gas vent is unsafe and prohibited by the National Fire Prevention Association Code.
4. The area through which the chimney pipe will travel should be inspected. If the installation requires cutting a hole in the ceiling, check the attic for wires, ducts, etc., that may interfere.
5. Most home fires occur with wood stoves because of improper installation. It is vitally important that single wall pipe is NEVER installed closer than 24 inches or three times the diameter of the pipe from a combustible surface,

▲ SAFETY NOTE: Never run a single wall pipe through a combustible wall.

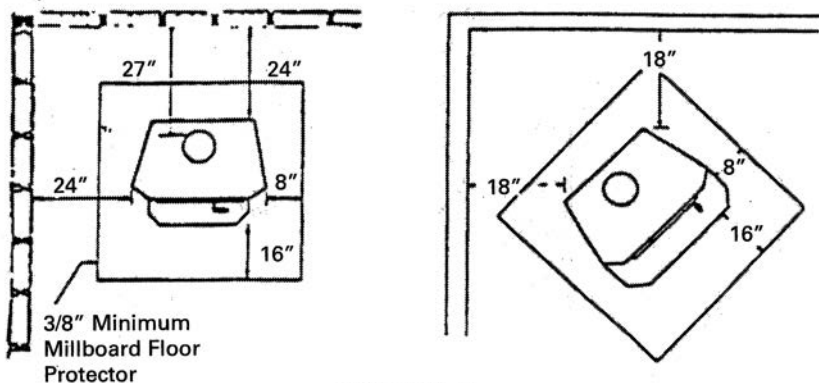


FIGURE 4

6. Use only an insulated, all-fuel chimney to vent the hot gases out of the house. It will reduce the amount of creosote buildup and improve the draft needed to vent hot gases from the stove.
7. Use an 8" diameter insulated thimble or an 8" diameter insulated all-fuel chimney section when passing through a combustible wall or ceiling.
8. Do not use more than one elbow in the stove pipe.
9. Any horizontal pipe should be pitched upward toward the chimney at least 1/4 inch for each foot horizontal run.
10. Be sure there is at least 18" clearance between horizontal piping, if used, and combustible ceiling.
11. Ensure that the ventilating pipe does not extend so far into the chimney flu that it blocks airflow.
12. Particular attention should be paid to the point where the flu passes through a wall or a ceiling. This penetration should always be made with insulated pipe and the proper accessories.
13. The longer the pipe and the larger the number of elbows, the greater the chances of dangerous creosote and ash buildup. Modern stoves are engineered to achieve maximum heat dispersal without lengthy vents eliminating a potentially hazardous situation.
14. Use heavy gauge stove pipe; at least 24 gauge, 8" diameter.
15. Each stove pipe connection should be joined and secured with sheet metal screws to avoid possible separation during use.
16. The top must be at least three feet higher than the roof at the point of exit. In pitched roofs, the top of the stove pipe must be at least two feet higher than the highest point of the roof, and at least ten feet away.
17. Extend the chimney's connection pipe at least 12 inches into the chimney.

⚠ SAFETY NOTE: This stove is not approved for use in mobile homes.

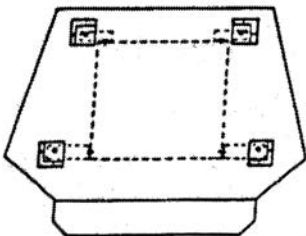


FIGURE 5

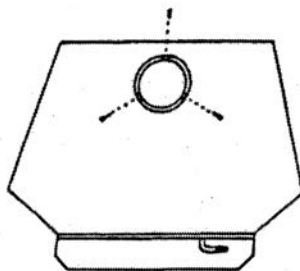


FIGURE 6

SECTION 3: FREESTANDING STOVE (CONT.)

INSTALLATION OF LEGS OR PEDESTAL & FIRST PIPE SEGMENT

1. Remove firebrick and all other items inside stove.
2. Tilt stove on its back.
3. Attach legs or pedestal using 3/8" bolts provided. (See Figure 5)
4. Tilt stove back into normal position.
5. Insert pipe into 8" collar on top of stove.
6. Place plugs in the six holes located on the top and both sides by tapping them in with a hammer. Replace firebrick.

STOVE PIPE INSTALLATION

1. Minimum clearance to combustibles must be maintained as shown in Figure 4.
2. Combustible wall and ceiling materials include wood, cloth, vinyl, paper, etc. Wood covered with plastic is also considered combustible. The 24" clearance for the stove also applies for plain stovepipe used in constructing the chimney pipe. Clearance is applicable to the parallel wall or from the ceiling either when the wall is unprotected or when 3/8" insulated millboard is affixed to the wall without spacing.
3. Select a spot for the stove. Inspect the area that a stovepipe will be running through to connect with the existing chimney, Use an insulated connector if a combustible wall is between the chimney and stove.
4. If the area the pipe runs through looks acceptable, move the stove into position. Be sure the stove had proper clearance from combustible areas.
5. If a new chimney is being installed, follow the instructions of the chimney pipe manufacturer or have it installed by a certified chimney installer.
6. Install the chimney connector-if it is passing through combustible walls, it must be insulated such as triple-wall pipe. Also, if it is impossible to maintain 24" between your smoke pipe and a combustible wall, use an insulated chimney pipe. Also consult local building codes and regulations.
7. After the pipe connector is in place, run the stovepipe with the crimped edge down from the chimney connector to the stove. The crimped edges must be down so creosote accumulation on the walls of the stovepipe can run back into the stove and not out the joints of the pipe.
8. Check installation to determine that the pipe is connected properly using three sheet metal screws per joint; that the proper distances have been maintained from combustible surfaces with the stove and the stovepipe; and the chimney is in good repair and is installed properly.

SECTION 4: INSTALLATION OF BLOWER FOR MODEL 2500

After 2500 stove is installed, you will need to install blower on your stove. The blower, along with four 1/4" x 20 cap screws, has been placed into the firebox of the stove. Please follow steps below to install bower. Blower for Model 1500 is already installed.

1. Remove the front blower cover locate the opening for the blower.
2. Remove blower package from inside the firebox where it was placed for shipping.
3. Place the blower onto the stove with the motor turned down.
4. Secure the blower onto the stove using the four 1/4".20 cap screws.
5. Connect the two wires from the blower to the wires on the stove.
6. Replace the magnetic blower cover and begin using the stove.

SECTION 5: ADDITIONAL SAFETY PRECAUTIONS

- 1. ASH DISPOSAL:** Ashes should be placed in a metal container with a tight fitting lid. The closed container of ashes should be placed on a non-combustible floor or on the ground, well away from combustible materials, pending final disposal. If the ashes are disposed of by burial in soil or otherwise locally dispersed they should be retained in the closed container until all cinders have thoroughly cooled.
- 2. LIQUID FUELS:** Never use gasoline type lantern fuel, kerosene, charcoal lighter fluid, or similar liquids to start or “freshen up” a fire in this heater. Keep all such liquids well away from the heater while it is in use.
- 3. CREOSOTE FORMATION & REMOVAL:** When wood is burned slowly, it produces tar and other organic vapors which combine with expelled moisture to form creosote. The creosote vapors condense in the relatively cool chimney flue of a slow burning fire. As a result, creosote residue accumulates on the flue lining. When ignited, this creosote makes an extremely hot fire. **CAUTION:** Do not operate the stove to such an extent that any portion becomes “red hot”.
- 4. PRE-FABRICATED CHIMNEY:** Class A masonry or all fuel pre-fabricated chimneys must be listed as approved by Underwriters Laboratories (UL) or you may use “Metal vent” and “Metalbestos” for use as your chimney.
- 5. INSPECTION CODES:** The installation of the stove must comply with state and local requirements and be inspected by the state or local building inspector, if required.
- 6. LOCATION:** This stove is not approved or recommended for use in mobile homes. Do not locate a wood burning stove in a bedroom or sleeping area. The stove should be placed centrally in relationship to the area to be heated. High traffic areas should be avoided, and the stove should be located in a relatively draft-free area. A 24 inch clearance to furnishings must be maintained.
- 7. REGULAR INSPECTION:** Inspect chimney connector and chimney twice monthly and clean if necessary.

⚠ SAFETY NOTICE: If this wood stove is not properly installed, a house fire may result. For your safety, follow the installation directions. Contact local building officials about restrictions and installation inspection in your area.

SECTION 6: OPERATING AND BUILDING AN EFFICIENT FIRE

FOR THE HIGH VALLEY MODEL 1500

1. Pull Catalyst Bypass (*top center handle*) completely open (*pull to open, push to close*) to bypass the catalyst until it reaches operating temperature (*500°F*)
2. Pull Dampers (*left and right*) out all the way to open (*pull to open, push to close*).
3. Prepare tinder and kindling by crumbling up a bit of old newspaper and placing into firebox, then add small pieces of dry kindling on top of newspaper.
4. Before lighting newspaper and kindling, you may want to burn out the flu by tightly rolling up piece of newspaper, lighting an end, then holding the burning newspaper into far upper rear portion of firebox. Now, light the kindling newspaper at multiple points along the bottom. After kindling is ignited and burning, place slightly larger pieces of dry wood onto the fire.
5. After the temperature in the catalyst has reached operating temperature (*500°F*), push the Catalyst Bypass (*top center handle*) closed to engage catalyst.
6. You can now further control the burn rate by leaving both Dampers 100% open for high burn, open 50% for a medium burn, or open 25% for a slow burn.
7. If blower toggle switch is in the “Therm” position, it will come on automatically after temperature at the thermostat reaches 100°F. Regulate heat by adjusting fan speed with rheostat and adjusting burn as described above in Step 6.

FOR THE HIGH VALLEY MODEL 2500

1. Pull Catalyst Bypass (*top center handle*) completely open (*pull to open, push to close*) to bypass the catalyst until it reaches operating temperature (*500°F*)
2. Pull Primary Damper and Under-Fire Damper completely open. Primary Damper is on right side and Under-Fire Damper is on left side (*pull to open, push to close*).
3. Prepare tinder and kindling by crumbling up a bit of old newspaper and placing into firebox, then add small pieces of dry kindling on top of newspaper.
4. Before lighting newspaper and kindling, you may want to burn out the flu by tightly rolling up piece of newspaper, lighting an end, then holding the burning newspaper into far upper rear portion of firebox. Now, light the kindling newspaper at multiple points along the bottom. After kindling is ignited and burning, place slightly larger pieces of dry wood onto the fire.
5. After the temperature in the catalyst has reached operating temperature (*500°F*), push the Catalyst Bypass (*top center handle*) closed to engage catalyst. Also, push the Under-Fire damper closed in order to slow down burn.
6. You can now further control the burn rate by leaving the Primary Dampers 100% open for high burn, open 50% for a medium burn, or open 25% for a slow burn.
7. If blower toggle switch is in the “Therm” position, it will come on automatically after temperature at the thermostat reaches 100°F. Regulate heat by adjusting fan speed with rheostat and adjusting burn as described above in Step 6.

MAINTENANCE

1. **BLOWER MOTOR:** In the event of a power failure we recommend removing motor to help natural convection, which will increase the life of the motor. If the motor or thermostat fails to work, remove motor and return to your dealer for servicing.
2. **STOVE FINISH:** Your stove is finished with a high temperature, heat resistant paint. There will be a slight odor of paint during the first burn, though not hazardous. A door or window opened slightly will reduce fumes to a minimum.

SECTION 7: TROUBLESHOOTING GUIDE

PROBLEM	REMEDY
1. CANNOT START FIRE.	<ul style="list-style-type: none">• Open catalyst bypass damper.• Open combustion air dampers underneath hearth plate.• Burn out flue by rolling up piece of newspaper lighting and holding in upper rear portion of firebox. This will cause the chimney to draw.
2. FIRE WILL NOT BURN STOVE WILL NOT DRAW.	<ul style="list-style-type: none">• Flue is obstructed with foreign object or creosote.• If your flue is a double flue you must use a direct connect system on your High Valley Wood Stove.• If the flu is shorter than the eaves of the house the stove will not work properly.• Use smaller dry wood to create a hot fire in the stove.• Cap could be covering your flue.
3. SMOKE COMES OUT COMBUSTION AIR HOLES OR AIR VENTS.	<ul style="list-style-type: none">• Obstruction in the flue.• Must build a hotter fire by using dry pieces of kindling.• Bypass damper is closed and the stove is not hot enough for the catalyst to engage. Must create a draft in the flue by burning newspaper in the stove (as described in remedy #1).
4. STOVE SMOKES WHEN BYPASS DAMPER IS CLOSED.	<ul style="list-style-type: none">• Catalysts are clogged and need to be cleaned (see Catalyst warranty card for instructions).• Fire is not hot enough to activate catalyst (Catalyst must be between 500 and 600 degrees Fahrenheit).
5. CREOSOTE SMELL IN ROOM.	<ul style="list-style-type: none">• Fire is not hot enough to burn the wood.• Fire is not drawing properly (as described in remedy #1).

SECTION 8: HIGH VALLEY STOVES LIMITED WARRANTY

PRODUCTS GUARANTEED

This limited warranty covers all stoves manufactured by Stoll Fireplace Inc. and carrying the High Valley Stoves brand.

*The warranty will be void if coal is burned in any High Valley wood burning stove.

GENERAL WARRANTY PROVISIONS

High Valley Stoves, warrants the model 2500 and 1500 against defects in material and workmanship for 5 years as long as it is owned by the original purchaser, provided that **(1)** stove is installed by an authorized installer: **(2)** stove has not been repaired by an unauthorized person in any way, so as, in our judgment as manufacturer, performance or reliability is reduced: **(3)** stove has not been subject to unauthorized modification: **(4)** the right to repair or replace the stove is at the option and considered judgment of the manufacturer: **(5)** obligation under this warranty does not include or extend to paint on surface of stove, glass door, nor decor kit an optional attachment.

SPECIFIC WARRANTY PROVISIONS & TIME PERIODS

Period 1: Up to 30 days after purchase.

Stove should be used within 30 days by having a fire started, the blower and heat generated in the owner's home.

Period 2: Up to 90 days after purchase.

All electrical parts are warranted for 90 days from the date of purchase.

Period 3: Up to 5 years from date of purchase.

High Valley Stoves will replace or repair, at its option, any part defective in material or workmanship with the exception of electrical components (blower, thermostat, rheostat, etc ...), damper, damper handles and rod, fireclay castable lining, and all parts not permanently attached to the heating unit. Parts not permanently attached to the heating unit are defined as any part removable with common hand tools. The cost of parts only are included. The customer pays any labor or transportation charges required (owner is responsible for any costs involved with stove or part removal and reinstallation.)

PROCEDURE

Should you feel that your stove is defective, you should contact your stove dealer for assistance and for the correct procedures to resolve the problem.

If for any reason you are dissatisfied with the suggested procedure, you may contact us in writing at: High Valley Stoves, 153 Hwy. 201, Abbeville, SC 29620.

CONDITIONS & EXCLUSIONS

There is no other express warranty. All implied warranties or merchantability and fitness are limited to the duration of the express warranty.

High Valley Stoves is not liable for indirect, incidental, or consequential damages in connection with the use of the product including any cost or expense of providing substitute equipment or service during periods of malfunction or non-use. Some states do not allow limitations on how long an implied warranty lasts, so the above limitation may not apply to you.

Warranty repairs for reimbursement must be performed by an authorized High Valley Dealer, manufacturer's representative, or by customer as directed by dealer or the manufacturer.

Dealers will receive special instructions regarding minor repairs.

Warranty void if serial plate has been removed or defaced.

Warranty gives you specific legal rights and you may also have other rights which vary from state to state.

HIGH VALLEY STOVES BY STOLL

153 Hwy. 201

Abbeville, SC 29620

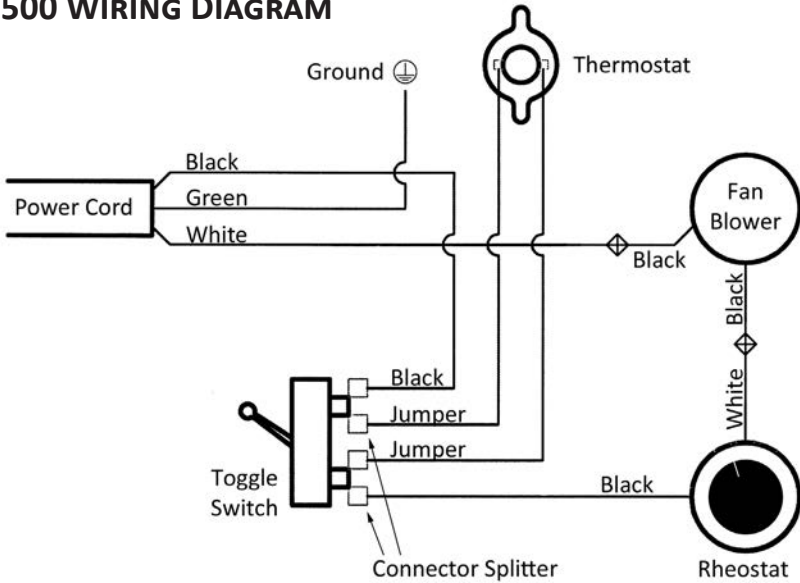
P: 800.421.0771

W: www.highvalleystoves.com

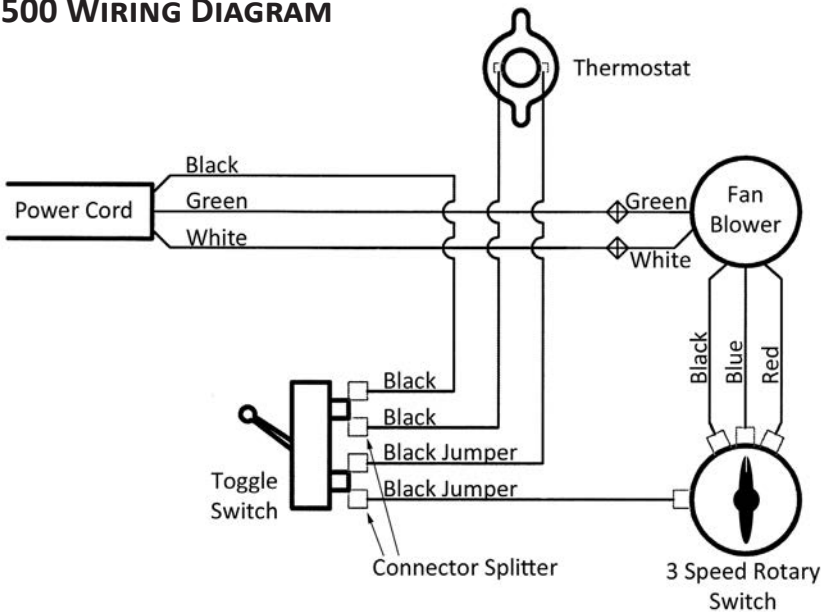
E: sales@highvalleystoves.com

SECTION 9: WIRING DIAGRAMS

1500 WIRING DIAGRAM



2500 WIRING DIAGRAM



OWNER REGISTRATION CARD

NAME: _____

ADDRESS: _____

CITY: _____ STATE: _____ ZIP: _____

PHONE: _____ EMAIL: _____

STOVE WAS PURCHASED AT: _____

SELLING PRICE LESS TAX: _____

DATE PURCHASED: _____

DATE INSTALLED: _____

MODEL PURCHASED: *(select one)*

2500

1500

ZC CABINET

ZC SERIAL NUMBER: _____

WOOD STOVE SERIAL NUMBER: _____ *(found on rear of unit)*

Remove page from book then fold in half and tape.

Cut Here

From:



High Valley Stoves by Stoll
153 Hwy. 201
Abbeville, SC 29620