



# Installation, Operation, & Safety Handbook



## MODEL 1300 FREESTANDING STOVE

High Valley Stoves by Stoll  
185 Hwy. 201  
Abbeville, SC 29639  
[www.highvalleystoves.com](http://www.highvalleystoves.com)  
800.421.0771



**Safety Notice:** *If this wood stove is not properly installed, a house fire may result. For your safety, please follow the installation directions. Contact local building or fire officials about restrictions and installation inspection in your area.*

*The authority having jurisdiction should be consulted before installation to determine the need to obtain a permit.*



**HIGH VALLEY STOVES BY STOLL**

*153 Hwy. 201  
Abbeville, SC 29620*

**P:** 800.421.0771

**W:** [www.highvalleystoves.com](http://www.highvalleystoves.com)

**E:** [sales@highvalleystoves.com](mailto:sales@highvalleystoves.com)

# Installation, Operation & Safety Handbook for Model 1300

## Table Of Contents

<b>SECTION 1</b>	<b>GENERAL SAFETY INFORMATION</b>	<b>Pg. 4</b>
<b>SECTION 2</b>	<b>CLEARANCES &amp; INSTALLATIONS</b>	<b>Pg. 6</b>
	Clearances	
	Floor Protector Installation	
	Pedestal Installation	
	Blower Installation	
	Stove Pipe Installation	
	Masonry Flue Installation	
	Masonry Fireplace Installation	
	Mobile Home Installation	
	Chimney & Vent Connectors	
<b>SECTION 3</b>	<b>USE AND CARE OF GLASS</b>	<b>Pg. 11</b>
<b>SECTION 4</b>	<b>OPERATING INSTRUCTIONS</b>	<b>Pg. 12</b>
<b>SECTION 5</b>	<b>STOVE OVERVIEW</b>	<b>Pg. 12</b>
<b>SECTION 6</b>	<b>WIRING DIAGRAM</b>	<b>Pg. 13</b>
<b>SECTION 7</b>	<b>SPECIFICATIONS</b>	<b>Pg. 13</b>
<b>SECTION 8</b>	<b>WARRANTY</b>	<b>Pg. 14</b>
	<b>WARRANTY REGISTRATION CARD</b>	<b>Pg. 15</b>

*Please read this entire manual before you install and use your new room heater. Failure to follow instructions may result in property damage, bodily injury, or even death.*

**SAVE THESE INSTRUCTIONS**

## SECTION 1: GENERAL SAFETY INFORMATION

Proper installation of any wood burning stove is necessary for the safety and effectiveness of its operation. Check with your dealer regarding arrangements for installing your free standing model. Installation must meet strict specifications of the National Fire Protection Association and all local fire and building codes.

For additional information on using your heater (wood stove) safely, send for Using Coal and Wood Stoves Safely, NFPA No. 81974, from the National Fire Protection Association, 1 Batterymarch Park, Quincy, MA, 02169

A prototype of the High Valley 1300 has been tested by Omni Test Laboratories, Inc.

### SAFETY PRECAUTIONS


1. **ASH DISPOSAL:** Ashes should be placed in a steel container with a tight-fitting lid and moved outdoors immediately. The closed container of ashes should be placed on a non-combustible floor or on the ground, well away from all combustible materials, pending final disposal. If the ashes are disposed of by burial in soil or otherwise locally dispersed, they should be retained in the closed container until all cinders have thoroughly cooled. Other waste shall not be placed in this container.
2. **LIQUID FUELS:** Never use gasoline, gasoline-type lantern fuel, kerosene, charcoal lighter fluid, or similar liquids to start or “freshen up” a fire in this heater. Keep all such liquids well away from the heater while it is in use.
3. **FUEL STORAGE:** Store wood in a dry environment. Do not place wood within stove clearances (see pg. 6) or within the space needed for loading stove or ash removal.
4. **CREOSOTE FORMATION & REMOVAL:** When wood is burned slowly, it produces tar and other organic vapors which combine with expelled moisture to form creosote. The creosote vapors condense in the relatively cool chimney flue of a slow burning fire. As a result, creosote accumulates on the flue lining, and when ignited, can create an extremely hot fire. The chimney connector and chimney should be inspected at least once every two months during the heating season to determine if build-up has occurred. If a significant layer of creosote has accumulated (*3mm or more*), it should be removed to reduce the risk of a chimney fire. Contact your local municipal or provincial fire authority for information on how to handle a chimney fire.
5. **PRE-FABRICATED CHIMNEY:** Not for use with a pre-fabricated chimney.
6. **CHIMNEY & CONNECTOR:** 6” MSG black steel connector pipe with UL 103 HT listed chimney suitable for solid fuels (*use supports and spark arrestors as required by NFPA 211*), or code-approved masonry chimney with a flue liner.
7. **INSPECTION CODES:** The installation of the stove must comply with state and local requirements and be inspected by the state or local building inspector, if required.
8. **LOCATION:** This stove is approved for use in mobile homes (*please read mobile home installation section in this manual*). **WARNING: DO NOT INSTALL IN SLEEPING ROOM.** The stove should be placed centrally in relationship to the area to be heated. High traffic areas should be avoided, and the stove should be located in a relatively draft-free area. A 14” clearance to any furnishings must be maintained.
9. Inspect chimney connector and chimney twice monthly, and clean if necessary.
10. Keep stove away from combustibles. Follow suggested distances.
11. The use of aluminum type “B” gas vent is unsafe and prohibited by the National Fire Prevention Association Code.


12. The area through which the chimney pipe will travel should be inspected. If the installation requires cutting a hole in the ceiling, check the attic for wires, ducts, etc, that may interfere.
13. It is vitally important that single wall pipe is never closer than three times the diameter of the pipe from a combustible surface. Never use single wall pipe through a combustible surface.
14. Use only an insulated, all fuel chimney to vent the hot gases out of the house. It will reduce the amount of creosote buildup and improve the draft needed to vent hot gases from the stove.
15. Use a 6" diameter insulated thimble, or a 6" diameter insulated all-fuel chimney section when passing through a combustible wall or ceiling. See NFPA 211 for recommended type, clearances, and warnings.
16. Do not use more than one elbow in the stove pipe.
17. Ensure that the ventilating pipe does not extend so far into chimney flue that it blocks air flow.
18. Particular attention should be paid to the point where the flue passes through a wall or ceiling. This penetration should always be made with insulated pipe and the proper connector, thimble, and mounting accessories.
19. The longer the pipe and the greater amount of elbows, the greater the chance of dangerous creosote and ash buildup. Modern stoves are engineered to achieve maximum heat dispersal without lengthy vents eliminating a potentially hazardous situation.
20. Use heavy gauge stove pipe: at least 18 gauge with 6" diameter.
21. The top of the flue must be at least 3' higher than the roof at the point of exit. In pitched roofs, the top of the stovepipe must be at least two feet to the highest point of the roof and at least ten feet away.
22. **DO NOT CONNECT THIS UNIT TO A CHIMNEY FLUE SERVING ANOTHER APPLIANCE.**


 **CAUTION:** DO NOT OPERATE IN AN EXTREME MANNER AS TO OVERFIRE THE UNIT. IF UNIT, CHIMNEY, OR CHIMNEY CONNECTOR GLOWS, YOU ARE OVERFIRING.


 **CAUTION:** DO NOT CONNECT TO OR USE IN CONJUNCTION WITH ANY AIR DISTRIBUTION DUCTWORK UNLESS SPECIFICALLY APPROVED FOR SUCH INSTALLATIONS.

 **CAUTION:** DO NOT USE CHEMICALS OR FLUIDS TO START THE FIRE.

 **CAUTION:** DO NOT BURN GARBAGE OR FLAMMABLE FLUIDS SUCH AS GASOLINE, NAPHTHA OR ENGINE OIL.

 **CAUTION:** HOT WHILE IN OPERATION. KEEP CHILDREN, CLOTHING AND FURNITURE AWAY. CONTACT MAY CAUSE SKIN BURNS.

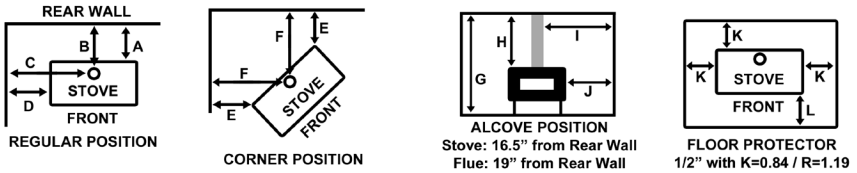
 **SAFETY NOTICE:** If this wood stove is not properly installed, a house fire may result. For your safety, follow all installation directives, cautions, and safety notices. Contact local building officials about restrictions and installation inspection in your area.

 **CAUTION:** The dangerous consequence of using make-shift compromises during installation can be heat and smoke damage, possibly even fire.

## SECTION 2: CLEARANCES & INSTALLATIONS

### FREESTANDING STOVE

INSTALL WITH MINIMUM CLEARANCES TO WALL AS SHOWN (IN INCHES)  
DIMENSIONS ARE WITH SINGLEWALL PIPE. DOUBLEWALL PIPE MAY REDUCE CLEARANCES



CONTACT YOUR LOCAL BUILDING OR FIRE OFFICIALS ABOUT  
RESTRICTIONS AND INSTALLATION INSPECTION IN YOUR AREA

FIGURE 1.

### CLEARANCES

- **Normal:** A=12" (305mm) B=15.5" (394mm) C=22" (560mm) D=14" (356mm)
- **Corner:** E=8" (203mm) F=18" (457mm)
- **Alcove:** G=84" (2134mm) H=54" (1372mm) I=24" (610mm) J=16" (406mm)  
Unit must be 16.5" (419mm) and Flue must be 19" (483mm) from Rear Wall.
- **Floor Protector:** K=8" (203mm) L=18" (457mm) | Type II, UL 1618

**⚠ Note:** Clearances can only be reduced only by means approved by the applicable regulatory authority.

### FLOOR PROTECTOR INSTALLATION

1. This Stove requires the use of a Type II, UL 1618 Approved, Floor Protector, with minimum rating of  $K = 0.84 / R = 1.19$ .
2. Floor protector must be placed under the stove; for USA it must extend 16 inches beyond the front and 8" beyond the sides of the stove and for Canada it must extend 18 inches beyond the front and 8" beyond the sides and back of the stove.
3. Floor protector must also extend under the chimney connector and at least 2" beyond each side.

### PEDESTAL INSTALLATION

1. Place pedestal on floor protector where stove will be installed.
2. Carefully place the 1300 stove body on top of the pedestal. Center stove on pedestal, using caution to not damage floor or floor protector.
3. Align holes with threads in the stove with appropriate holes in pedestal.
4. Insert bolts through pedestal into stove and tighten securely.
5. If the unit is installed in a mobile home, see mobile home installation instructions.

### BLOWER INSTALLATION

1. Blower assembly is shipped pre-installed, so no installation is necessary
2. Blower assembly is shipped pre-wired, so no wiring is necessary. However, if the wires become disconnected for any reason, please refer to Section 5: Wiring Diagram

## STOVE PIPE INSTALLATION

1. Minimum clearance to combustibles must be maintained as shown in figure 1.
2. Combustible wall and ceiling materials includes wood, cloth, vinyl, paper, etc. Wood covered with plastic is also considered combustible. The 10" clearance for the stove also applies for plain stovepipe used in constructing the chimney pipe. Clearance is applicable to the parallel wall or the ceiling either when the wall is unprotected or when Type 2 Floor Protector is affixed to the wall without spacing.
3. Select a spot for the stove. Inspect the area that the stovepipe will be running through to connect with the existing chimney. Use an insulated connector if a combustible wall is between the chimney and stove.
4. If the area the pipe runs through looks acceptable, move the stove into position. Be sure the stove has proper clearance from combustible areas.
5. If a new chimney is being installed, follow the instructions of the chimney pipe manufacturer or have it installed by a certified chimney installer.
6. Install the chimney connector/thimble. If it is passing through combustible walls, it must be insulated, such as triplewall pipe. Also, if it is possible to maintain 10" between your smoke pipe and a combustible wall, use an insulated chimney pipe. Consult your local building code and regulations.
7. Chimney connector shall not pass through an attic or roof space, closet or similar concealed space, or floor, or ceiling. Where passage through a wall or partition of combustible construction is desired, the installation must conform to *CAN/CSA-B365: Installation Code for Solid-Fuel Burning Appliances and Equipment*.
8. After the pipe connector is in place, run the stovepipe with the crimped edge down from the chimney connector to the stove. The crimped edges must be down so creosote accumulating on the walls of the stovepipe can run back into the stove and not out the joints of the pipe.
9. Any horizontal pipe should be pitched upward toward the chimney at least 1/4" for each horizontal foot.
10. Check the installation to determine the pipe is connected properly using three sheet metal screws per joint; that the proper distances have been maintained from combustible surfaces with the stove and the stovepipe; and the chimney is in good repair and is installed properly.

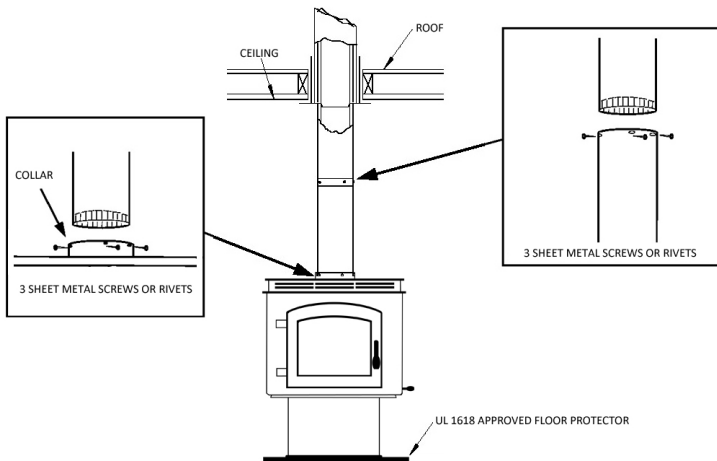


FIGURE 2.

## MASONRY FLUE INSTALLATION (USING SINGLE WALL PIPE)

1. Before connecting these units to a masonry chimney, determine that masonry flue pass-through connector thimble meets NFPA-211 Code and local building codes and is a minimum of 18" from ceiling. If connector thimble does not meet these codes, pass-through connector must be modified.  
**NOTE:** Floor protector must be under horizontal pipe exit
2. Connectors may pass through walls or partitions constructed of combustible material if connector is:
  - (a) Either listed for wall pass-through or is routed through a device listed for wall pass-through and is installed in accordance with conditions of listing.
  - (b) Selected or fabricated in accordance with conditions and clearances as stated in NFPA-211 Code. Any unexposed metal that is used as part of a wall pass-through system and is exposed to flue gases shall be constructed of stainless steel or other equivalent material that will resist corrosion, softening or cracking from flue gases at temperatures up to 1800°F. In addition, a connector to a masonry chimney shall extend through wall to the inner face or liner but not beyond, and shall be firmly cemented to masonry.**EXCEPTION:** A thimble may be used to facilitate removal of the chimney connector for cleaning, in which case the thimble shall be permanently cemented in place with high-temperature cement.
3. Once through-the-wall thimble codes are met, simply connect chimney collar to wall pass-through connector using #24 ga. minimum, blue or black steel connector pipe as follows:
  - (a) Maintain 1/4" rise per foot (horizontal length) from appliance to chimney.
  - (b) Connect each section so crimped end faces downward.
  - (c) Secure each section to each other using at least three (3) sheet metal screws or rivets (See Figure 2. Page 7).
  - (d) Use three (3) sheet metal screws to fasten pipe to connector collar on heater. (See Figure 2. Page 7).

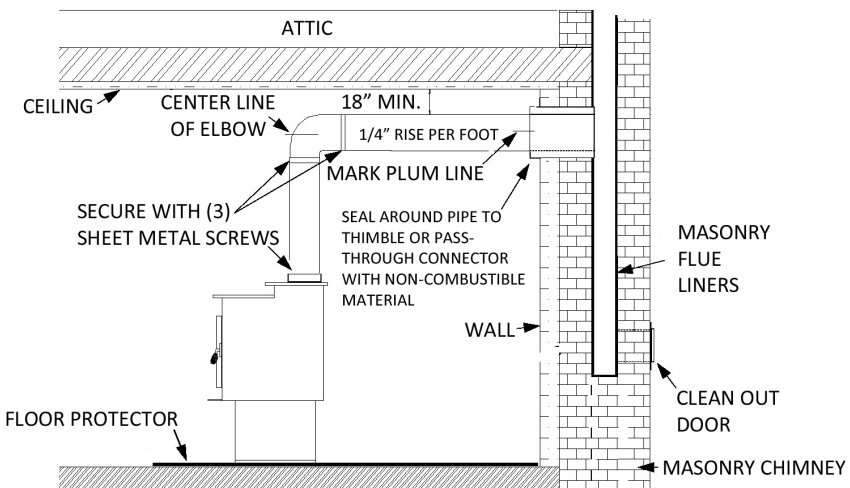


FIGURE 3.



## MASONRY FIREPLACE INSTALLATION

Connect to Masonry Fireplaces where the following conditions are met:

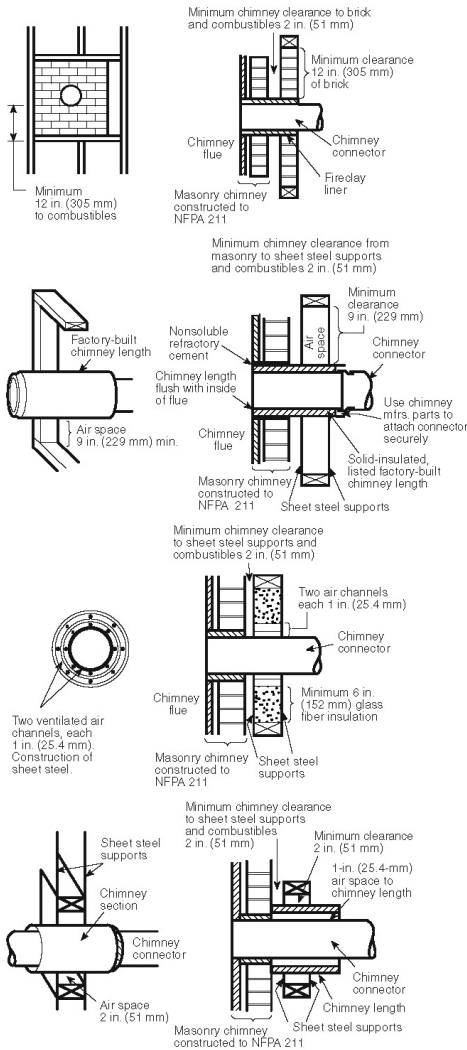
- (1) There is a connector that extends from the appliance to the flue liner.
- (2) The cross-sectional area of the flue is no smaller than the cross-sectional area of the flue collar of the appliance, unless otherwise specified by the appliance manufacturer.
- (3) The cross-sectional area of the flue of a chimney with no walls exposed to the outside below the roofline is no more than three times the cross-sectional area of the appliance flue collar.
- (4) The cross-sectional area of the flue of a chimney with one or more walls exposed to the outside below the roofline is no more than two times the cross-sectional area of the appliance flue collar.
- (5) If the appliance vents directly through the chimney wall above the smoke chamber, there shall be a noncombustible seal below the entry point of the connector.
- (6) The installation shall be such that the chimney system can be inspected and cleaned.
- (7) Means shall be provided to prevent dilution of combustion products in the chimney flue with air from the habitable space.

## MOBILE HOME INSTALLATION FOR USA ONLY! - *OPTIONAL AIR KIT REQUIRED*

1. Position the stove onto the floor protector in its final location, making sure all minimum clearances are met. Anchor stove to floor with sufficient size and length bolts to go through the pedestal mount, floor protector, home floor and subfloor.
2. The stove should be grounded to chassis with a #8 AGW copper wire or equivalent.
3. Place the outside air kit on the rear of the unit with the elbow turned toward the bottom of the unit and fasten with 2 tec screws supplied. Connect a 4" flex pipe (not supplied) to the outside air kit, place a screen on the other end and insert through the wall of the home.
4. **CAUTION: THE STRUCTURAL INTEGRITY OF THE MOBILE HOME FLOOR, WALL, AND CEILING/ROOF MUST BE MAINTAINED.**

**NOTE:** Do not substitute materials when purchasing parts or installation supplies. Purchase only OEM parts or approved supplies.

# CHIMNEY CONNECTORS AND VENT CONNECTORS



**FIGURE 4.**

## Additional Requirements:

1. *Insulation material used as part of wall pass-through system shall be of noncombustible material and shall have a thermal conductivity of 1.0 Btu-in./hr-ft<sup>2</sup> - °F (4.88 kg-cal/hr-m<sup>2</sup> - °C) or less.*
2. *All clearances and thicknesses are minimums; larger clearances and thicknesses shall be permitted.*
3. *Any material used to close up an opening for the connector shall be of noncombustible material.*
4. *A connector to a masonry chimney, except for System B, shall extend in one continuous piece through the wall pass-through system and the chimney wall to the inner face of the flue liner, but not beyond.*

1. Minimum 3.5 in. (90 mm) thick brick masonry wall framed into combustible wall with a minimum of 12-in. (305-mm) brick separation from clay liner to combustibles. Fireclay liner (ASTM C 315, Standard Specification for Clay Fire Linings, or equivalent), minimum 3/8-in. (16-mm) wall thickness, shall run from outer surface of brick wall to, but not beyond, the inner surface of chimney flue liner and shall be firmly cemented in place.

2. Solid-insulated, listed factory-built chimney length of the same inside diameter as the chimney connector and having 1 in. (25.4 mm) or more of insulation with a minimum 9-in. (229-mm) air space between the outer wall of the chimney length and combustibles. The inner end of the chimney length shall be flush with the inside of the masonry chimney flue and shall be sealed to the flue and to the brick masonry penetration with non-water-soluble refractory cement. Supports shall be securely fastened to wall surfaces on all sides. Fasteners between supports and the chimney length shall not penetrate the chimney liner.

3. Sheet steel chimney connector, minimum 24 gauge [0.024 in. (0.61 mm)] in thickness, with a ventilated thimble, minimum 24 gauge [0.024 in. (0.61 mm)] in thickness, having two 1-in. (25.4-mm) air channels, separated from combustibles by a minimum of 6 in. (152 mm) of glass fiber insulation. Opening shall be covered, and thimble supported with a sheet steel support, minimum 24 gauge [0.024 in. (0.61 mm)] in thickness. Supports shall be securely fastened to wall surfaces on all sides and shall be sized to fit and hold chimney section. Fasteners used to secure chimney section shall not penetrate chimney flue liner.

4. Solid-insulated, listed factory-built chimney length with an inside diameter 2 in. (51 mm) larger than the chimney connector and having 1 in. (25.4 mm) or more of insulation, serving as a passthrough for a single wall sheet steel chimney connector of minimum 24 gauge [0.024 in. (0.61 mm)] thickness, with a minimum 2-in. (51-mm) air space between the outer wall of chimney section and combustibles. Minimum length of chimney section shall be 12 in. (305 mm). Chimney section concentric with and spaced 1 in. (25.4 mm) away from connector by means of sheet steel support plates on both ends of chimney section. Opening shall be covered, and chimney section supported on both sides with sheet steel supports of minimum 24 gauge [0.024 in. (0.61 mm)] thickness. Supports shall be securely fastened to wall surfaces on all sides and shall be sized to fit and hold chimney section. Fasteners used to secure chimney section shall not penetrate chimney flue liner.


## SECTION 3: USE, CARE & REPLACEMENT OF GLASS

Although glass has excellent heat resistance and strength characteristics, it can crack through improper use. To achieve maximum utility and safety of glass in a wood burning stove, we advise the following:

1. Inspect the glass regularly. If you detect a crack or break, extinguish the fire immediately and replace the glass. Do not operate unit with broken glass.
2. Do not slam the door or otherwise impact the glass. When closing the door, logs or other objects should not protrude or impact the glass.
3. Do not clean when hot, allow unit to cool completely before cleaning. Do not clean the glass with abrasive materials which may scratch or damage the glass. Scratches on the glass can develop into cracks or breaks. Oven cleaner may be used, but do not get any on the paint as it will remove paint.
4. Never put substances which can ignite explosively in the stove since even small explosions in confined areas can blow out the glass.

### REPLACEMENT GLASS INSTALLATION

1. Replacement Glass must be 1/4" pyro-ceramic, "stove" glass. Do not use unsuitable substitute replacement glass.
2. Glass can be installed in the door with the door mounted on the stove.
3. Remove bracket bolts from the door and remove all pieces of broken glass if any.
4. Remove backing from the gasket. Center gasket on edge of replacement glass. Firmly press gasket onto glass edge of all sides. Cut excess gasket.
5. Place glass in opening. Position brackets in place, insert bolts and tighten carefully.

 **CAUTION:** Glass should be snug but not excessively tight.

#### NOTICE

Gold plated surface must be cleaned with glass cleaner and a soft rag before firing the first time, or fingerprints will remain.

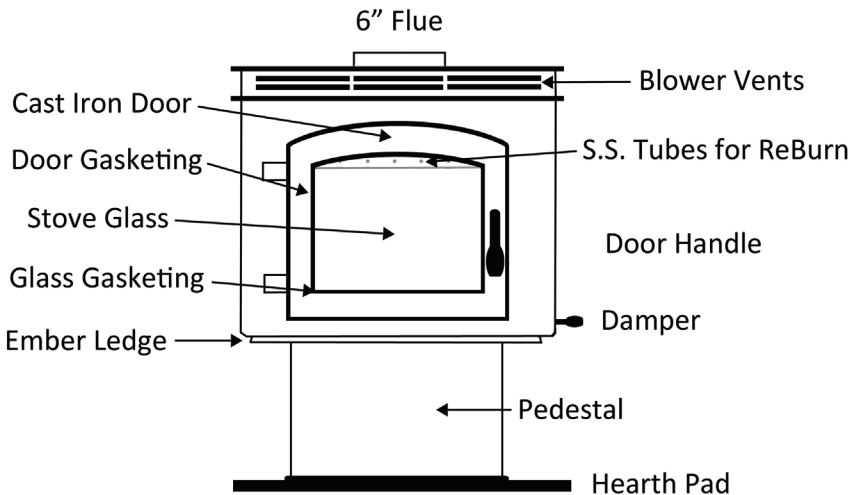
**DO NOT CLEAN WHEN HOT!**

## SECTION 4: OPERATING INSTRUCTIONS

1. Pull the damper slide all the way open. (*slide is on lower right side of the unit*)
2. Always build fire directly on stove floor, do not raise with andirons or grates. Be careful to not build fire too close to the glass door. Roll up pieces of newspaper and place in the firebox towards back of stove. Place kindling on top of paper and light paper. After fire is burning, place larger pieces of wood on the fire.
3. This stove is designed to burn dry, seasoned hardwood. Use wood fuel only, no other solid or liquid fuels can be used.
4. Avoid coming in contact with the firebrick or air tubes when loading wood.
5. Once the fire is burning, you can control the fire by using the control on the right hand side of the unit. Pull to open and push to close. Do not alter damper for increased firing for any reason.
6. Keep door(s) closed when burning; inspect gasket monthly and replace if needed.
7. Due to the nature of a non-catalytic stove, there may be smoke spillage into the room from the combustion air chamber when starting the stove. After the stove has been burning for a time, this will cease.

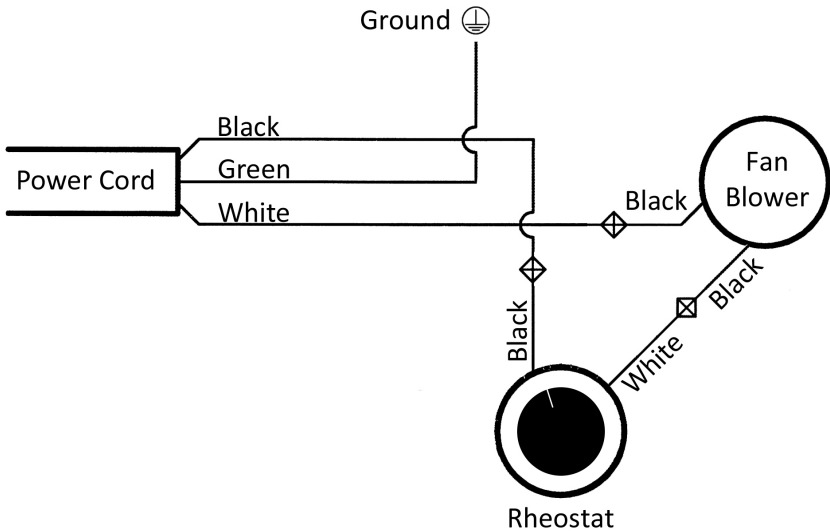
**⚠ CAUTION:** When opening the door make sure the draft control is fully open (*pull to open*) to avoid smoke spillage into the room.

## SECTION 5: STOVE OVERVIEW



**NOTE:** Do not substitute materials when purchasing parts or installation supplies. Purchase only OEM parts or approved supplies.

## SECTION 6: WIRING DIAGRAM



## SECTION 7: SPECIFICATIONS

**Stove Width:** 22"

**Stove Depth:** 23"

**Firebox Size:** 1.3 cu. ft.

**Flue Size:** 6"

**Est. BTU Output:** 28,846

**Emissions:** 3.1 g/Hr

**Efficiency:** 70%

**Floor Protector:** 1/2" with K = 0.84 / R= 1.19 ratings

**Stove Height w/ pedestal:** 30"

**Weight:** 315 lbs.

**Max. Wood Size:** 16"

**Est. Burn Time:** 7 hrs.

**Est. Heating Area:** 1500 sq. ft.

**Date of Certification:** 01/28/2013

## SAFETY STANDARD COMPLIANCE

**USA UL:** UL 1482-2011

**Canadian UL:** ULC-S627-00



Emissions and efficiency testing  
performed by Dirigo Laboratories, Inc.

# SECTION 8: HIGH VALLEY STOVES LIMITED WARRANTY

## PRODUCTS GUARANTEED

This limited warranty covers all stoves manufactured by Stoll Fireplace Inc. and carrying the High Valley Stoves brand.

\*The warranty will be void if coal is burned in any High Valley wood burning stove.

## GENERAL WARRANTY PROVISIONS

High Valley Stoves, warrants the model 1300 against defects in material and workmanship for 5 years as long as it is owned by the original purchaser, provided that **(1)** stove is installed by an authorized installer: **(2)** stove has not been repaired by an unauthorized person in any way, so as, in our judgment as manufacturer, performance or reliability is reduced: **(3)** stove has not been subject to unauthorized modification: **(4)** the right to repair or replace the stove is at the option and considered judgment of the manufacturer: **(5)** obligation under this warranty does not include or extend to paint on surface of stove, glass door, nor decor kit an optional attachment.

## SPECIFIC WARRANTY PROVISIONS & TIME PERIODS

### Period 1: Up to 30 days after purchase.

Stove should be used within 30 days by having a fire started, the blower and heat generated in the owner's home.

### Period 2: Up to 90 days after purchase.

All electrical parts are warranted for 90 days from the date of purchase.

### Period 3: Up to 5 years from date of purchase.

High Valley Stoves will replace or repair, at its option, any part defective in material or workmanship with the exception of electrical components (blower, thermostat, rheostat, etc ...), damper, damper handles and rod, fireclay castable lining, and all parts not permanently attached to the heating unit. Parts not permanently attached to the heating unit are defined as any part removable with common hand tools. The cost of parts only are included. The customer pays any labor or transportation charges required (owner is responsible for any costs involved with stove or part removal and reinstallation.)

## PROCEDURE TO OBTAIN WARRANTY REPAIR

Should you feel that your stove is defective, you should contact your stove dealer for assistance and for the correct procedures to resolve the problem. If for any reason you are dissatisfied with the suggested procedure, you may contact us in writing.

## CONDITIONS & EXCLUSIONS

- There is no other express warranty. All implied warranties or merchantability and fitness are limited to the duration of the express warranty.
- High Valley Stoves is not liable for indirect, incidental, or consequential damages in connection with the use of the product including any cost or expense of providing substitute equipment or service during periods of malfunction or non-use. Some states do not allow limitations on how long an implied warranty lasts, so the above limitation may not apply to you.
- Warranty repairs for reimbursement must be performed by an authorized High Valley Dealer, manufacturer's representative, or by customer as directed by dealer or the manufacturer.
- Dealers will receive special instructions regarding minor repairs.
- Warranty void if serial plate has been removed or defaced.
- Warranty gives you specific legal rights and you may also have other rights which vary from state to state.

## OWNER REGISTRATION CARD

NAME: \_\_\_\_\_

ADDRESS: \_\_\_\_\_

CITY: \_\_\_\_\_ STATE: \_\_\_\_\_ ZIP: \_\_\_\_\_

PHONE: \_\_\_\_\_ EMAIL: \_\_\_\_\_

STOVE WAS PURCHASED AT: \_\_\_\_\_

SELLING PRICE LESS TAX: \_\_\_\_\_

DATE PURCHASED: \_\_\_\_\_

DATE INSTALLED: \_\_\_\_\_

MODEL PURCHASED: 1300

WOOD STOVE SERIAL NUMBER: \_\_\_\_\_ *(found on rear of unit)*

Cut Here

*Remove page from book then fold in half and tape.*

From:

---

---

---



High Valley Stoves by Stoll  
153 Hwy. 201  
Abbeville, SC 29620