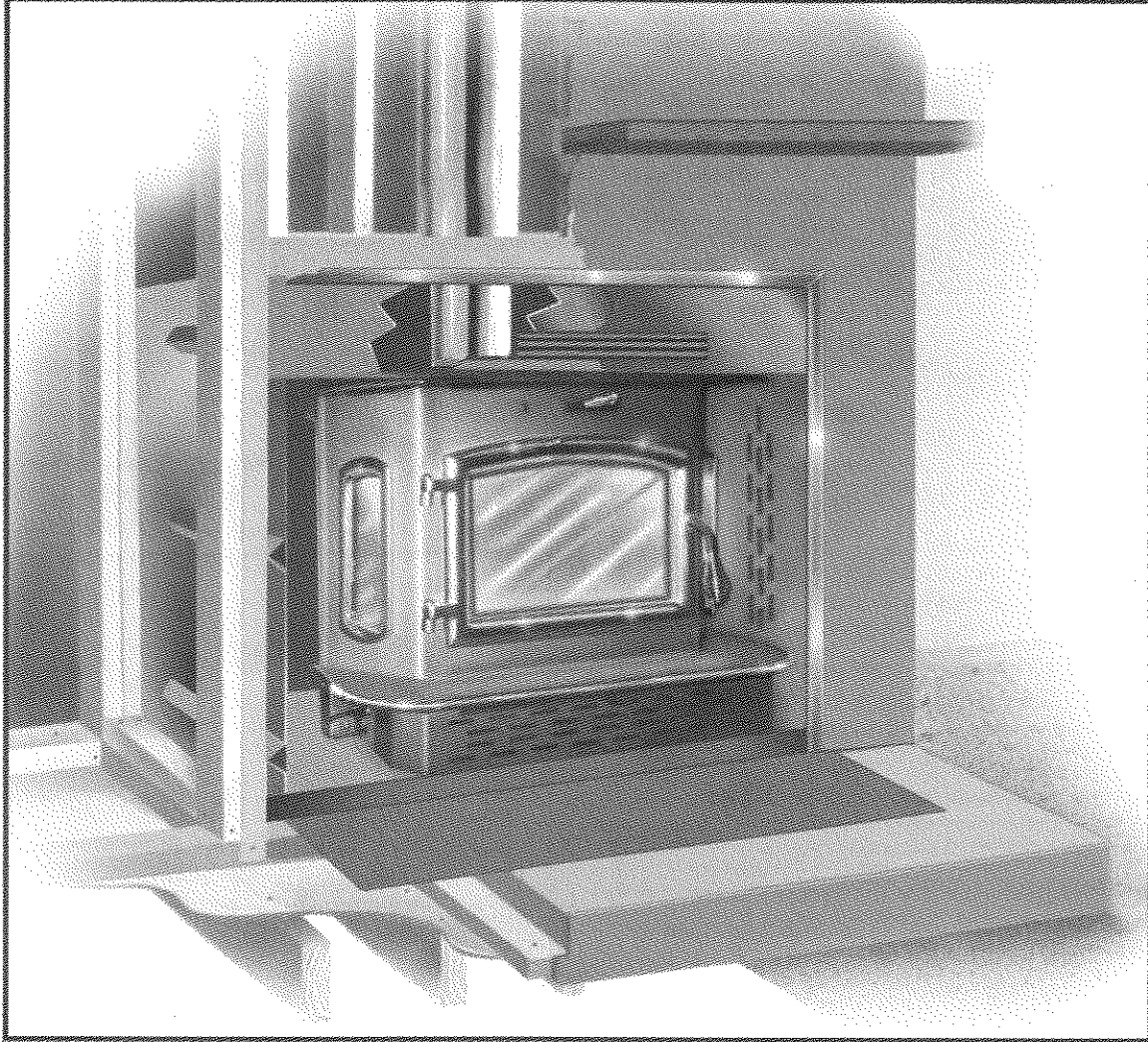


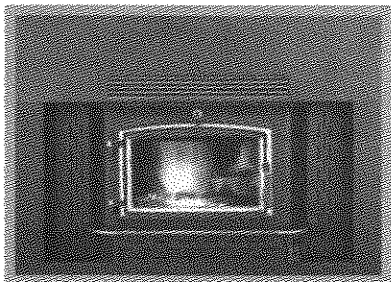
Installing Your High Valley Zero Clearance Unit*

*Model 2500zc & Model 1500zc

Model 2500zc is shown in illustration below



**Zero Clearance Requires Professional Installation*



Model 1500zc

High Valley
STOVES

6573 Highway 226 South
Spruce Pine, NC 28777

Installing Your 1500zc or 2500zc*

1

Installation Instructions

- A.** A major cause of chimney-related fires is the failure to maintain required clearances (air spaces) to combustible materials. It is of utmost importance that the chimney be installed only in accordance with these instructions.
- B.** Compliance with local building codes and regulations is mandatory.
- C.** Use only 8" diameter class "A" insulated pipe.
- D.** The chimney must extend a minimum of three feet above the highest point where it penetrates the roof (three feet above a flat roof or up to 2 1/2 pitch roof), and the chimney must extend a minimum of two feet higher than any portion of the building within ten feet of the chimney. The minimum height is 14 1/2 feet. The maximum height is 42 feet. A two inch clearance must be maintained between the chimney and any combustible materials at all points.
- E.** Use a rain cap which is approved for the type of chimney being installed. The rain cap must be used to terminate the chimney to prevent downdraft.
- F.** Note, refer to chimney manufacturers instructions for proper installation of chimney and proper clearances to combustibles.

CAUTION:
Refer to chimney manufacturer's instruction for assembly of stove pipe. Be sure to follow chimney instructions for proper clearances to combustibles and proper air spacing required.

DOUBLE HEADER
A double header must be used on a load bearing wall. This must be done 12" above cabinet.

NOTE:
Finished wall must be 1" behind ZC cabinet for the 1500zc and flush for the 2500zc.

CAUTION:
Install non-combustible floor protector as specified. The hearth extension must extend a minimum of 16" in front of the fireplace opening and must be 47" wide minimum (1500zc) and 52" wide (2500zc) and completely underneath the stove. (See #2 (F)-Framing Instructions for non-combustible floor protector specifications)

Figure 1

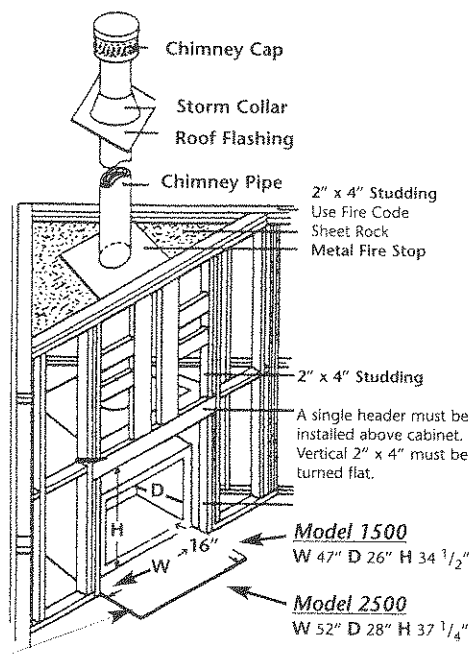
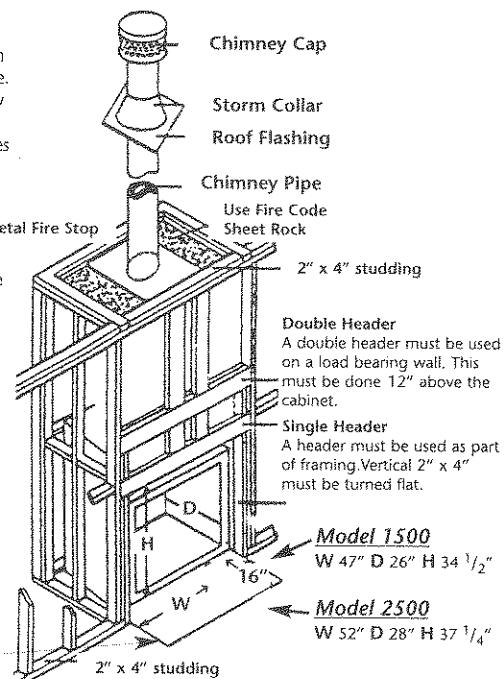


Figure 2

CAUTION:
Refer to chimney manufacturer's instruction for assembly of stove pipe. Be sure to follow chimney instructions for proper clearances to combustibles and proper air spacing required.

NOTE:
Finished wall must be 1" behind ZC cabinet for the 1500zc and flush for the 2500zc.

CAUTION:
Install non-combustible floor protector as specified. The hearth extension must extend a minimum of 16" in front of the fireplace opening and must be 47" wide minimum (1500zc) and 52" wide (2500zc) and completely underneath the stove. (See #2 (F)-Framing Instructions for non-combustible floor protector specifications)

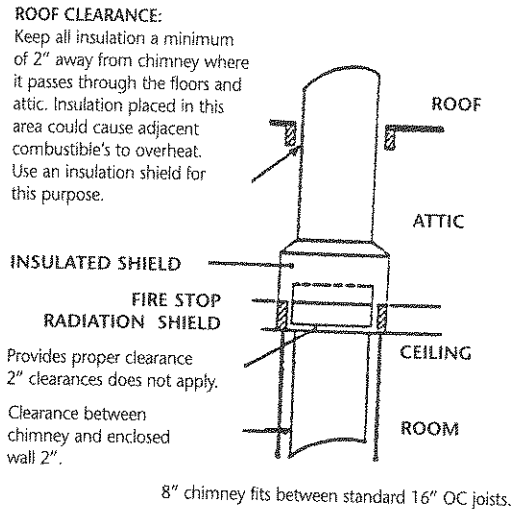


***Zero Clearance**
Zero Clearance Requires Professional Installation

2

Framing Instructions

- A. There are a few clearance and framing restrictions that must be followed when installing the 1500 & 2500 ZCs.
- B. It is important that the floor is of adequate strength to support the 1500 & 2500 ZCs. (Approximately 600 lbs.)
- C. It is important to decide the location and route of the chimney prior to starting any work. If you have any problems where to locate your 1500 & 2500 ZCs, contact your Authorized High Valley Stove dealer.
- D. Before framing, combustible floor coverings must be removed to outer dimension of outer framing, including the 16" x 47" (1500zc) and 16" x 52" (2500zc) area for hearth extension.
- E. Frame the 1500 & 2500 ZCs using 2"x 4" studs or local building code framing. Some minor framing restrictions are required.
 1. Adjacent side walls must be at least 12" from the outer edge of the 1500 & 2500 ZC's trim panel.
 2. The overall opening dimensions must be 47" wide, 34 $\frac{1}{2}$ " high, and 26" depth for 1500zc and 52" wide, 37 $\frac{1}{4}$ " high, and 28" depth for the 2500zc. (Not to include approved floor protector under stove)
 3. Finished wall must be 1" behind ZC cabinet for the 1500zc and flush for the 2500zc cabinet to accommodate trim panel.
- F. You must place non-combustible approved floor protector (such as $\frac{1}{2}$ " thick CV 230 mineral board) or equivalent K factor which extends 16" in front of the opening and must be 47" wide minimum (1500zc) and 52" wide minimum (2500zc) completely underneath the stove.

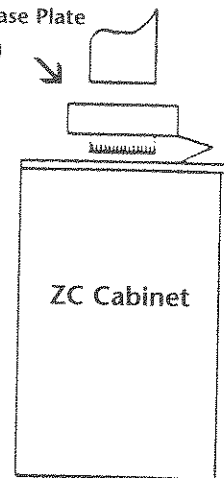
Figure 3**3**

Chimney Installation

- A. Use only 8" class "A" insulated pipe.
- B. When installing chimney all clearances and recommendations of chimney manufacturer must be observed.
- C. Before the 1500 & 2500 ZCs are located, the area must be clean of combustible materials and debris.
- D. The route of the chimneys should be located to insure there are not obstructions.

Figure 4

Insulated Base Plate
Starter Ring



NOTE:
Install pipe to cabinet by pushing down over the starter ring adapter previously installed.

Install triple wall insulated pipe starter ring adapter to cabinet.

CAUTION:
Do not pack insulation or other material in air spaces on top of cabinet.

Installing Your 1500zc or 2500zc*

4 Finishing

Finishing can now be completed using the desired material in accordance with local building and fire codes.

CAUTION: It is very important that air spaces must be kept clear of debris, so heat can be allowed to escape for the openings designed into the unit.

5 Panel Installation

After ZC Cabinet is properly installed:

- A. Slide Model 1500zc or 2500zc into cabinet.
- B. Insulation must be glued to top panel.
- C. Attach top and side panels to stove.
- D. Slide stove into ZC Cabinet until panels come into contact with cabinet.
- E. **NOTE:** Stove must be installed into ZC box before chimney is installed.
- F. Place bottom panel underneath Blower Housing using screw provided.
- G. Replace Blower Housing.
- H. Place Louver in Top Panel by sliding left to right in front of brackets.

High Valley
STOVES

6573 Highway 226 South
Spruce Pine, NC 28777

Figure 5

